



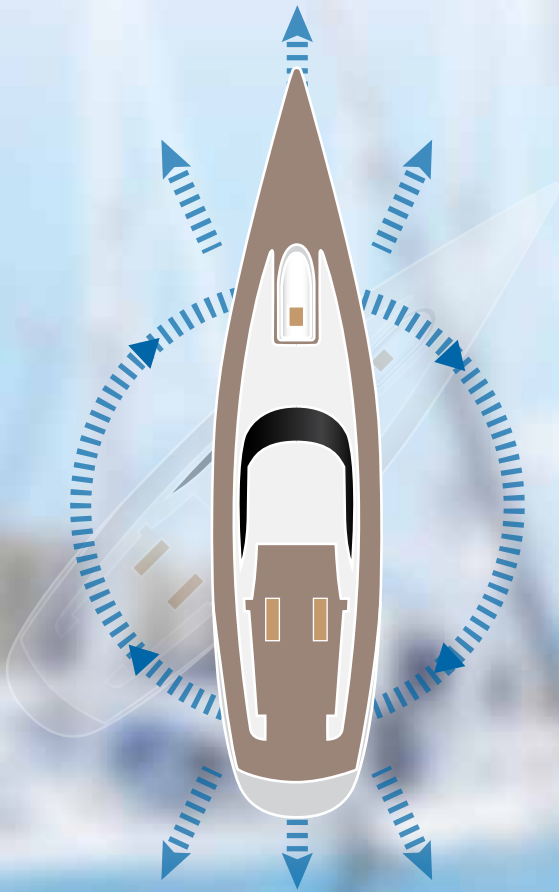
PROPILOT-S
Joystick Control System



glendinningprods.com

Move your boat in any direction

Navigate your boat in any direction with the intuitive joystick. Just move the joystick in the direction or rotation you want your boat to move.



Joystick CONTROLS



Seamless

For sailboat applications, the ProPilot-S automatically extends the thrusters when the joystick is initially moved. The ProPilot-S automatically retracts the thruster when the engine propulsion controls are moved.



Propulsion CONTROLS

Normal Propulsion Control [Shift & Throttle]

Moving the control lever ahead or reverse will control the shift and throttle function as with a conventional control.



transition

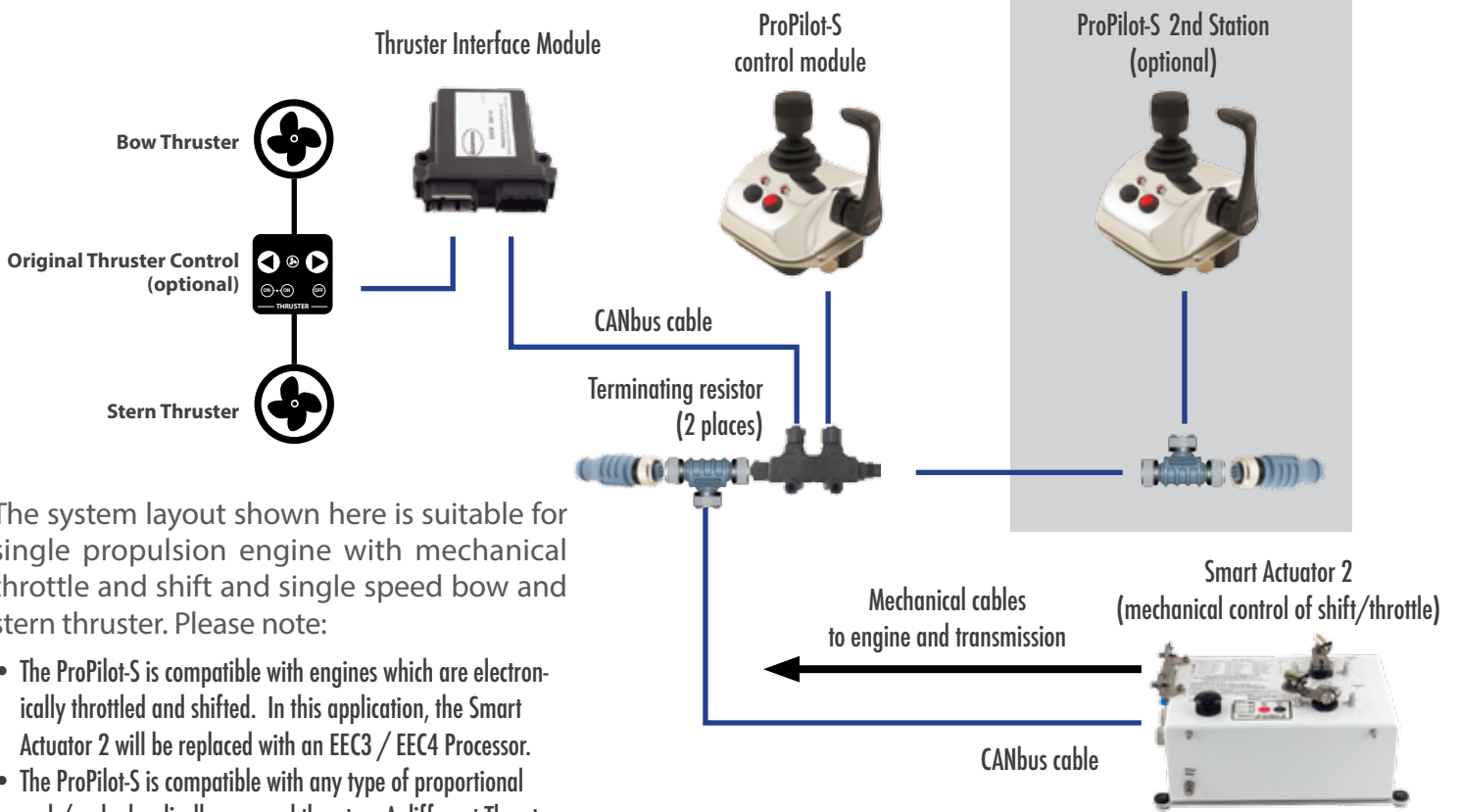


Simply change the control you want to use and the control system takes care of the rest.



- The ProPilot-S is a propulsion control system optimized for sailboats and other single engine applications.
- This ProPilot-S control is compatible with any type of engine or transmission—either mechanically or electronically throttled.
- The ProPilot-S control is compatible with any type or brand of thrusters—single speed, proportional, tunnel thruster, or retractable.
- Multi-station capability (dual helm applications)

SYSTEM LAYOUT

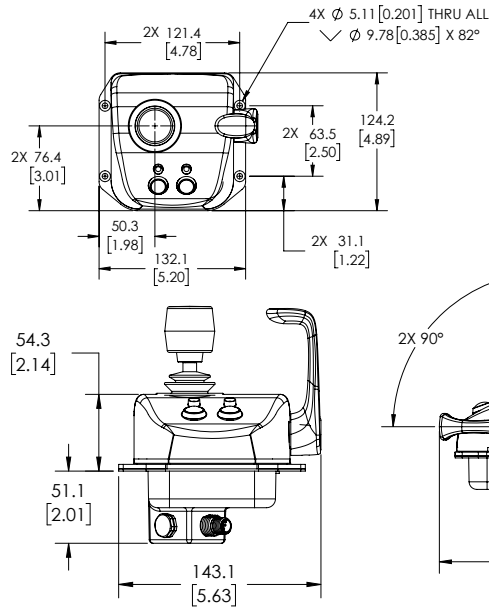
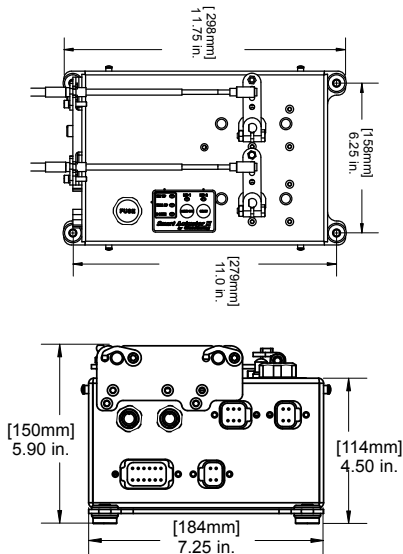


The system layout shown here is suitable for single propulsion engine with mechanical throttle and shift and single speed bow and stern thruster. Please note:

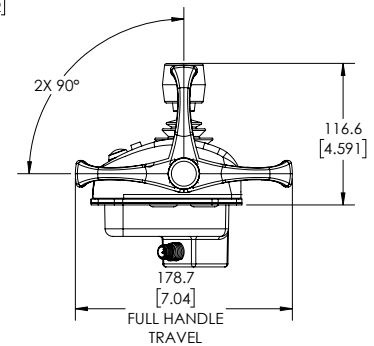
- The ProPilot-S is compatible with engines which are electronically throttled and shifted. In this application, the Smart Actuator 2 will be replaced with an EEC3 / EEC4 Processor.
- The ProPilot-S is compatible with any type of proportional and / or hydraulically powered thruster. A different Thruster Interface Module will be used for these applications.

DIMENSIONS

Smart Actuator 2



ProPilot-S



740 Century Circle PHONE: +1 843 399 6146
 Conway, SC 29526 FAX: +1 843 399 5005
 USA EMAIL: sales@glendinningprods.com

