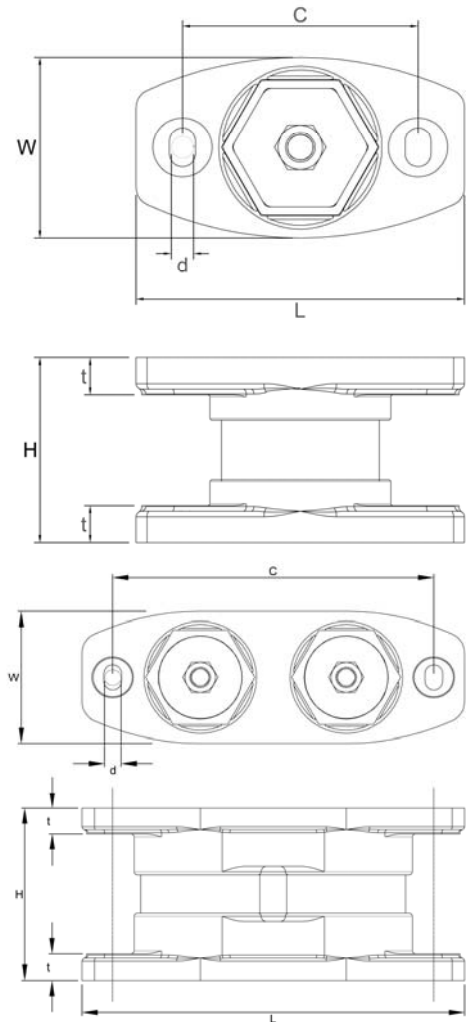


Poduszki IsoFlex izolujące kadłub & sterówkę do: Statków roboczych i handlowych



Redukują wibracje i wytwarzają maksymalną stateczność nośną w 360 stopniach.

isoflex.com.au

IsoFlex
MINIMIZING VIBRATION

Poduszki IsoFlex izolujące kadłub & sterówkę



FUNKCJE

- Zapewniają izolację drgań i elektryczną nadbudówki i sterówki od kadłuba statku.
- Zabezpieczają konstrukcję.
- Komponenty polimerowe i ze stali nierdzewnej 316 = brak gnicia i rdzewienia.
- Stosowane na pilotówkach, statkach off-shore oraz promach pasażerskich.
- Mogą być konfigurowane przez zmianę rdzenia roboczego aby sprostać aplikacji.
- Wymiary, w tym wysokość mogą być różne aby spełnić wymogi zastosowania.
- Testowane siłą minimum 6 G we wszystkich osiach, włącznie z przewrotem.

WYMIARY

Wymiary (Metryczne)	L	W	H	C	d	t	Robocze obciążenie statyczne
Model	mm	mm	mm	mm	mm	mm	kg
M75-16SS	177	96	100	127	14	20	100-300
M130-20SS	240	127	125	182	16	25	300-1000
M125-20SS	240	127	166	170	16	25	300-1000
MD125-20SS	367	127	166	308	16	25	600-2000
MD128-20SS (4 hold down bolts)	367	127	166	308	2 x 16	25	600-2000

Wymiary (Imperial)	L	W	H	C	d	t	Robocze obciążenie statyczne
Model	in	in	in	in	in	in	lb
M75-16SS	7.0	3.8	3.9	5.0	0.6	0.8	220-660
M130-20SS	9.4	5.0	4.9	7.2	0.6	1.0	660-2200
M125-20SS	9.4	5.0	6.5	6.7	0.6	1.0	660-2200
MD125-20SS	14.4	5.0	6.5	12.1	0.6	1.0	1300-4400
MD128-20SS (4 śruby)	14.4	5.0	6.5	12.1	2 x 0.6	1.0	1300-4400

IsoFlex Technologies Pty Ltd

33/75 Waterway Drive · Gold Coast Marine Precinct
Coomera, Queensland Australia 4209
Phone: 011 61 7 5556 0924
Fax: 011 61 7 5556 0984
E-mail: info@isoflex.com.au

Ros-marine

Mianowice 16
76-231 Damnica, Polska
Tel: +48 693454641, +48 665400810
E-mail: kris.r@ros-marine.pl; aga.r@ros-marine.pl
www.ros-marine.pl



DET NORSKE VERITAS

TYPE APPROVAL CERTIFICATE

CERTIFICATE NO. **M-11490**

This is to certify that the
Flexible Mounts for Propulsion or Auxiliary Machinery

with type designation(s)
IsoFlex Engine Mounts - B and S type, size M30, MY30, M50, M75, M85, M90, M100, M110, M125, M127, M130, M135, M140, M150, MD100, MD125, MD140 and MD150

Manufactured by
ISOFLEX TECHNOLOGIES PTY LTD
COOMERA QLD, Australia

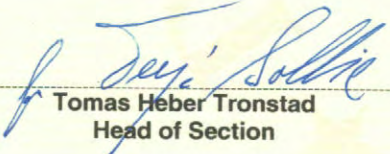
is found to comply with
Det Norske Veritas' Rules for Classification of Ships/High Speed and Light Craft

Application
The flexible mounts are approved for mounting of propulsion engines, auxiliary engines and reduction gear.

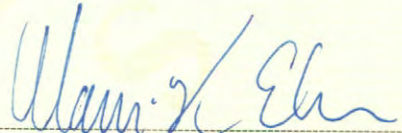
Høvik, 2010-05-21
for Det Norske Veritas AS



This Certificate is valid until
2014-06-30


Tomas Heber Tronstad
Head of Section

DNV local office:
Brisbane


Hans-Kristian Eriksen
Surveyor

This Certificate is subject to terms and conditions overleaf. Any significant change in design or construction may render this Certificate invalid. The validity date relates to the Type Approval Certificate and not to the approval of equipment/systems installed.

If any person suffers loss or damage which is proved to have been caused by any negligent act or omission of Det Norske Veritas, then Det Norske Veritas shall pay compensation to such person for his proved direct loss or damage. However, the compensation shall not exceed an amount equal to ten times the fee charged for the service in question, provided that the maximum compensation shall never exceed USD 2 million. In this provision "Det Norske Veritas" shall mean the Foundation Det Norske Veritas as well as all its subsidiaries, directors, officers, employees, agents and any other acting on behalf of Det Norske Veritas.



Certificate No.: M-11490
File No.: 702.60
Job Id.: 262.1-003955-3

Product description

Polymer flexible engine mounts

Application/Limitation

The mounts are approved for use for mounting of propulsion, auxiliary engines and reduction gear

Size of mounts to be chosen according to the maker's data sheets for the approved series of mounts.

Type Approval documentation

Data, test results and drawings received in booklets with letters from IsoFlex received with letter from DNV Brisbane dated 2010-03-19

Tests carried out

Tests carried out in January 2007, reported in IsoFlex Booklet received with letter from DNV Brisbane dated 2010-03-19.

Marking of product

The product to be marked with manufacturer's name or trademark and type number identification.

Certificate retention survey

For retention of the Type Approval, DNV shall perform a survey every second year and before expiry date of this certificate to verify that the conditions of the type approval are complied with.

Other conditions

No product certificate required

Installation, maintenance and inspection of the mounts to be done according to the makers instructions.

Engine vibration calculations to be submitted for approval according to DNV Rules Pt.4, Ch.3. Sec.1 A 600.