

GLENDINNING

MARINE • PRODUCTS

CABLEMASTER™ & HOSEMASTER™ CATALOG



“EXTEND . . . RETRACT . . . RELAX!”

TABLE of CONTENTS



CABLEMASTER™ — Shore Power Cable Storage System

| | |
|----------------------------------|---|
| Features & Benefits..... | 3 |
| Frequently Asked Questions | 4 |
| Cablemaster™ Dimensions | 5 |
| Cablemaster™ Applications | 6 |
| Cablemaster™ Accessories | 9 |



HOSEMASTER™ — Water Hose Storage System

| | |
|---|----|
| Marine Hosemaster™ | 10 |
| Hosemaster - Model S™ & Hosemaster - Model D™ | 11 |

WE'RE ON A MISSION...

It's been our vision . . . our mission since we began in 1972. Provide quality products to our customers so that they can have the utmost enjoyment and satisfaction in their boating experience. We have brought together a level of talent and engineering and manufacturing capabilities that enable us to provide products with unrivaled superiority, performance, and durability while providing extraordinary value for your investment. We are keenly aware of the competitive climate that we find ourselves in, both foreign and domestically. For that reason we are committed to 100% customer satisfaction in both the quality of our products and the on-time delivery of our products. Our employees have a personal commitment to product improvement through our Glendinning Production System. We have received ISO 9001:2000 certification assuring you of consistent quality throughout the manufacturing process - no one works harder to produce better quality products that lead the industry. "Relax . . . we're on board!" is more than a sidemark with us, if you're not receiving more pleasure from your boating experience because of our products then we are not fulfilling our mission. It's that simple.

Paul Glendinning - President
John Glendinning - VP Sales



CABLEMASTER™ FEATURES & BENEFITS

Every time you dock into port you repeat the same difficult task — lift, pull, coil, and store. Sounds easy, but unless you've lifted heavy shore power cable, you can't imagine how hard it is! That's why major boat-builders worldwide have included the Cablemaster™ for their clients. There's no easier way to extend, retract, and store your boat's shore power cable.

Powered Extension & Retraction

The Cablemaster™ is the only power cord storage system that features powered extension, retraction, and storage of your power cord. With the simple flip of a switch, the Cablemaster™ will extend, retract and store your boat's shore power cable, keeping it out of the water and your decks free of excess cable coils.

Unique Design Eliminates Slip Rings or Brushes

Unlike industrial reels, the Cablemaster™ does not carry shore power through slip rings or brushes, which can be susceptible to corrosion in a harsh marine environment. By eliminating the need for detachable plug connections (used on boats not equipped with the Cablemaster™) the shore power cable can be "hard-wired" to the boat's electrical system thus preventing hot spots and voltage drops.

Unlimited Cable Length

No more need for extension cords! The Cablemaster™ will easily handle all the shore power cable your storage space will allow. Cable lengths of 80-100 feet (or longer) are commonly used.

Reclaim Unused Storage Space

Because of its unique design, the Cablemaster™ can be installed in a variety of ways to take advantage of situations where the storage space for the power cable is not located directly below where the power cable enters the boat from the exterior.

3 Models to Choose From:



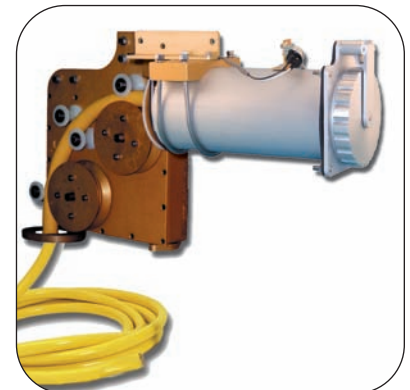
Model CM-4

- 13"D x 13"W x 22"H
- for 30 amp cable up to .80" [21mm]
- PN 05010 - 12V
- PN 05013 - 24V



Model CM-7

- 18"D x 18"W x 32"H
- for 50 amp cable up to 1.14" [29mm]
- PN 04020 - 12V
- PN 04022 - 24V
- PN 04028 - 12V for molded cordsets
- PN 04005 - 24V for molded cordsets



Model CM-8

- 22"D x 22"W x 42"H
- for 100-plus amp cable up to 1.625" [42mm]
- PN 04090 - 12V
- PN 04091 - 24V
- for larger cables call Glendinning

QUICK FACTS

- **The only power cord storage system that features electrically powered extension, retraction and storage of your cable.**
- **Handles all types of shore power cables from 16 amp to 206 amp service.**
- **Unlimited cable length eliminates the need for power cord extensions.**
- **Heavy-duty design made to withstand marine environment.**
- **Power Unit may be mounted apart from Hawse Pipe to provide greater installation flexibility.**
- **Optional Glendinning power cord features fully molded connector.**
- **Optional Radio Remote Control available for the ultimate in convenience.**

CABLEMASTER™ FAQs

Frequently Asked Questions . . .

• How Does it Work?

The Cablemaster™ is an electrically operated power cord reel that effortlessly extends, retracts, and stores your boat's shore power cable into a designated area below deck — a simple flip of a switch is all the effort it takes!



Open Hawse Pipe cap and lock in upright position



Flip power switch on and grasp power cable as it extends.



Turn off power switch when desired cable length has extended.

• What Types of Cables can be Used?

The Cablemaster™ can handle all types of shore power cables from 0.5" (12mm) up to 1.625" (42mm) diameter. The Cablemaster™ works with every size of shore power cable between 16 amp and 206 amp service.

• What is the Minimum Space Requirement?

The minimum space requirement will vary depending on which Cablemaster™ model you choose. Each unit has its own minimum space requirement, but is not limited to a specific installation arrangement. Typically, cable lengths longer than 50 feet (15.25 meters) will require additional storage space.

The photo (right) shows the Cablemaster™ (Model CM-4 for 30 amp cable) in its simplest application — where the Hawse Pipe Assembly is connected to the Power Unit. This arrangement will work well in situations where there is ample storage space immediately below the Hawse Pipe's installation. Refer to the drawing on the next page for each model's dimensions.

But what if you don't have the required width or height dimensions for your installation? What if the storage space is not directly below the Hawse Pipe?

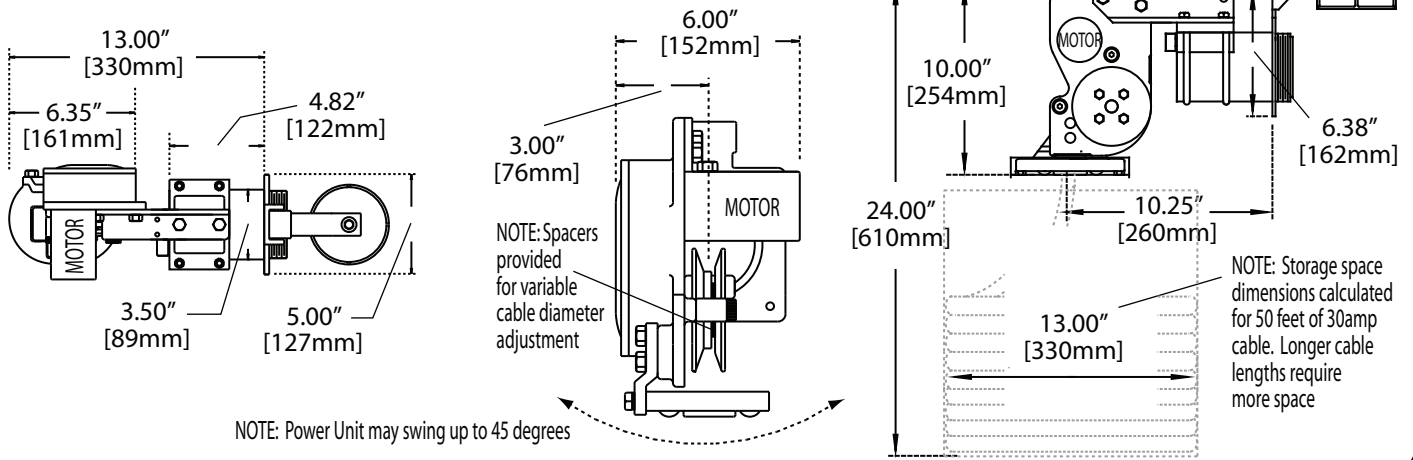
The Cablemaster's unique design allows the Hawse Pipe and Power Unit to be separated and mounted individually depending on your storage space and installation requirements.

To understand how this aids in installing your Cablemaster™, let's take a look at the components that make up the Cablemaster™ on page 6.

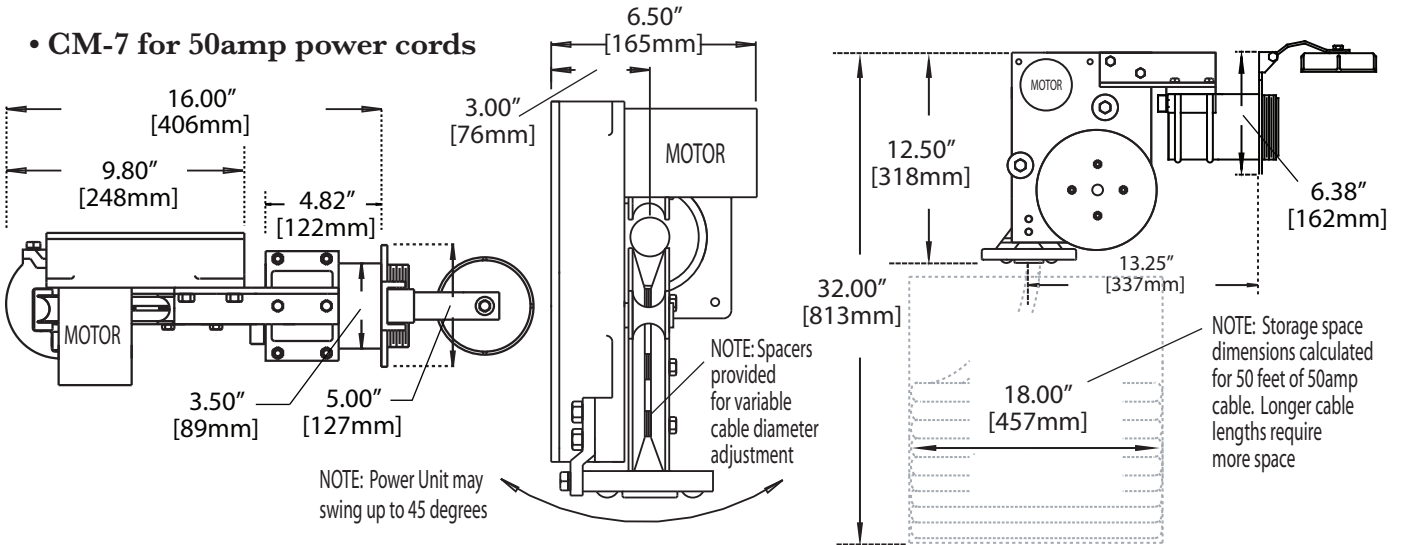


CABLEMASTER™ DIMENSIONS

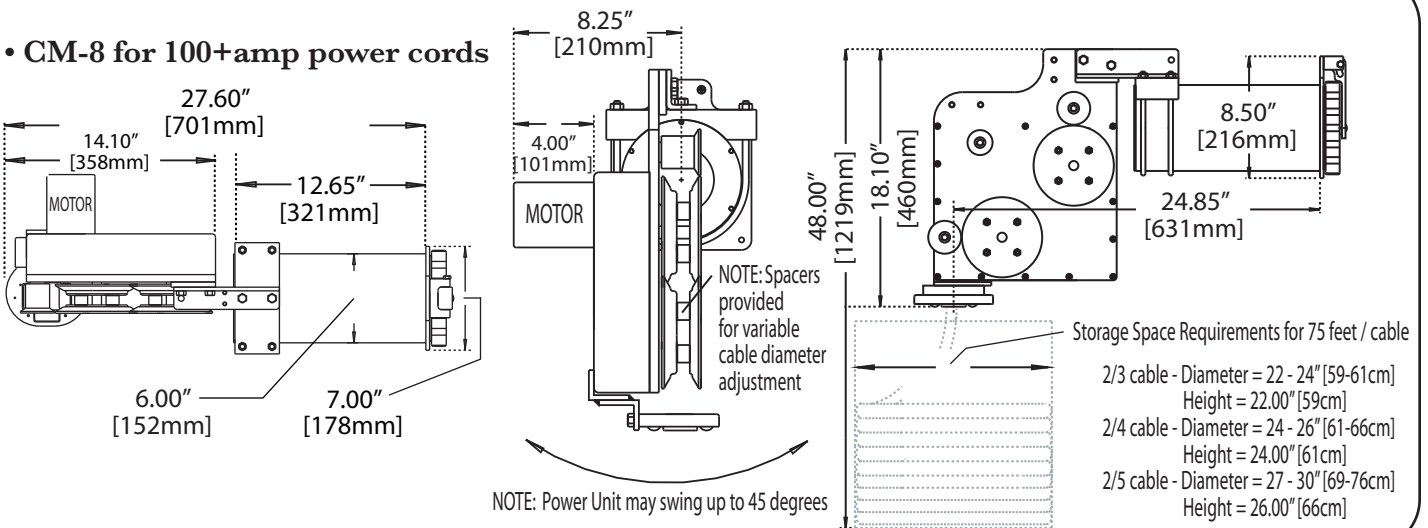
• CM-4 for 30amp power cords



• CM-7 for 50amp power cords



• CM-8 for 100+amp power cords



CABLEMASTER™ APPLICATIONS

Cablemaster Components

A — Hawse Pipe Assembly

The stainless steel Hawse Pipe Assembly (clear anodized aluminum for CM-8 model) performs two functions — it provides a watertight (IP67) barrier when the cable is fully retracted and it stores the shore power cable plug. The Hawse Pipe Assembly should be installed where you want the shore power cable to exit the boat

B — Power Unit

The Power Unit provides the force necessary to extend or retract the cable. The Power Unit includes the drive motor, reduction gearing, guide roller assemblies, limit switches, and relay assembly. Some installation applications may require additional mounting support.

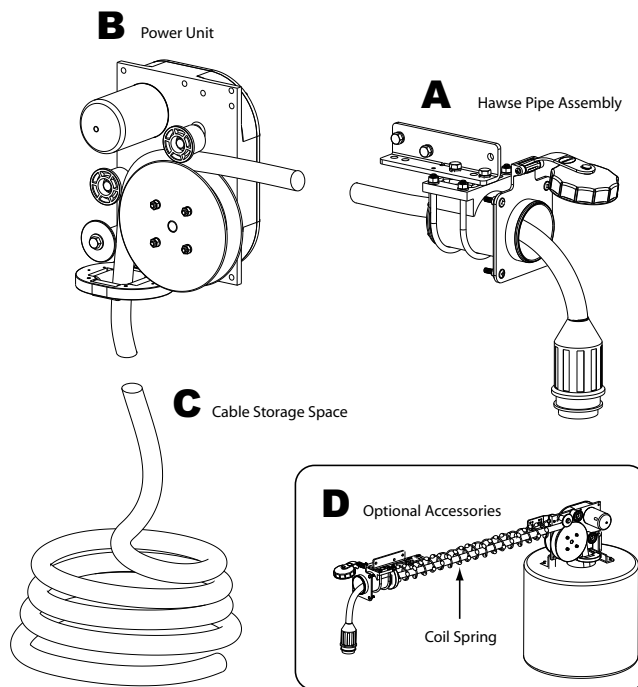
C — Cable Storage Space

The Cable Storage Space needs to be directly below the Power Unit in order for the Cablemaster™ to operate optimally. The Storage Space may be built into the area below the Power Unit or an optional “cable storage container” may be purchased with the Cablemaster™ unit.

D — Optional Accessories

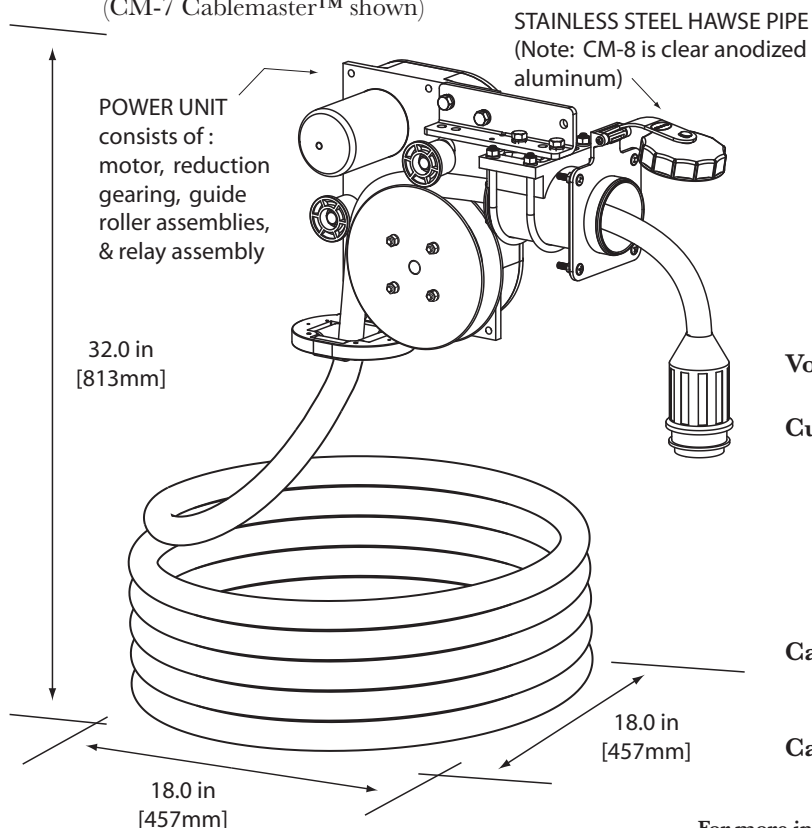
Optional extensions, assemblies and kits help to extend the reach of the Cablemaster™ in the event you do not have the storage space available in the immediate vicinity of the Hawse Pipe Assembly.

Now that you understand how versatile the Cablemaster™ is, you will better understand how it is possible to utilize unused or unreachable space with one or more of our Cablemaster™ accessories. The illustrations below and on the following page depict several different installation applications that are obtainable through the use of extension kits / angling assemblies.



Close-coupled Application

(CM-7 Cablemaster™ shown)



Close-coupled is when the Hawse Pipe Assembly is attached to the Power Unit. In this arrangement the cable is allowed to “free fall” into the cable storage space directly underneath the Power Unit. This application is the **recommended installation** application and ensures proper cable extension and retraction.

* Dimensions shown for 50 feet of 50 amp cable

Specifications

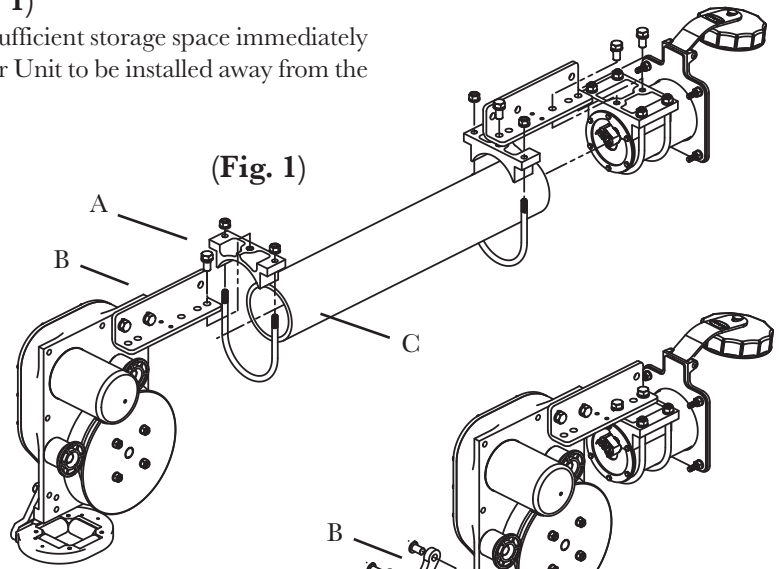
| | |
|--------------------|--|
| Voltage | 12 / 24V DC |
| Current | CM-4: 4-5 amps (12V DC) 2-3 amps (24V DC) CM-7: 7-9 amps (12V DC) 4-5 amps (24V DC) CM-8: 7-9 amps (12V DC) 5-7 amps (24V DC) |
| Cable Sizes | between 0.5” [12mm] and 1.625” [42mm] |
| Cable Length | determined by storage space available |

For more information, go to: www.glendinningprods.com/cablemaster.html

Horizontal Extension Application (Fig. 1)

The Horizontal Extension application is used when there is insufficient storage space immediately below the Hawse Pipe. This optional accessory allows the Power Unit to be installed away from the Hawse Pipe Assembly.

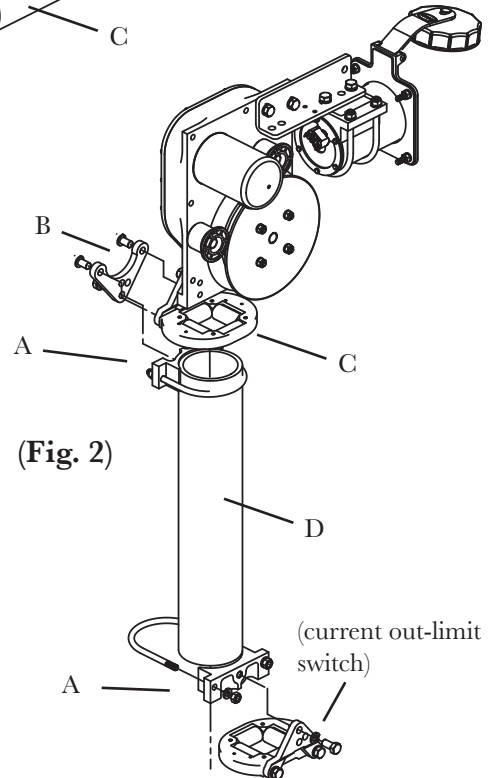
| HORIZONTAL EXTENSION KIT INCLUDES: | | |
|---|----------|-------------------------------------|
| Item | Part No. | Description |
| A | 04052 | (2) Pipe Clamp Assemblies |
| B | 50005 | (1) Connector Link |
| C | 42007 | (3') PVC Pipe 3" schd 40 |
| | | longer lengths available on request |
| * A longer Power Switch Assembly available separately | | |



Vertical Extension Application (Fig. 2)

The Vertical Extension application is recommended when the vertical distance between the Power Unit and the top of the storage space (or optional container) is too great. Using this kit helps prevent the power cable from spilling out of the designated storage space.

| VERTICAL EXTENSION KIT INCLUDES: | | |
|---|----------|-------------------------------------|
| Item | Part No. | Description |
| A | 04052 | (2) Pipe Clamp Assemblies |
| B | 50004 | (1) Pipe Extension Plate |
| C | 04054 | (1) Guide Roller Assembly |
| D | 42007 | (3') PVC Pipe 3" schd 40 |
| | | longer lengths available on request |
| * A longer Power Switch Assembly available separately | | |

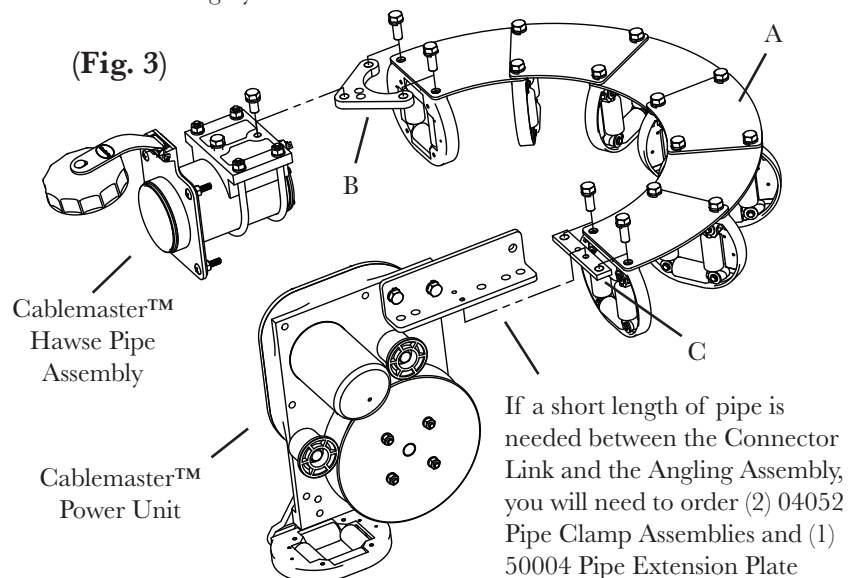


Angling Assemblies (Fig. 3)

Angling Assemblies allow the installer to mount the Power Unit and store the shore power cable in an area never thought possible before. Various roller assemblies help the cable change direction without undo friction and drag on the Power Unit. Roller assemblies are highly recommended to make bends and the use of pipe elbows is discouraged.

Angling Assemblies are available in 30° increments up to 180° (shown right).

| ANGLING ASSEMBLY KIT INCLUDES: | | |
|---|----------|-------------------------------|
| Item | Part No. | Description |
| A | 0406x | (1) 30°-180° Angling Assembly |
| Will also require additional accessories (see below): | | |
| B | 50004 | (1) Pipe Extension Plate |
| C | 50426 | (1) In-Limit Plate |

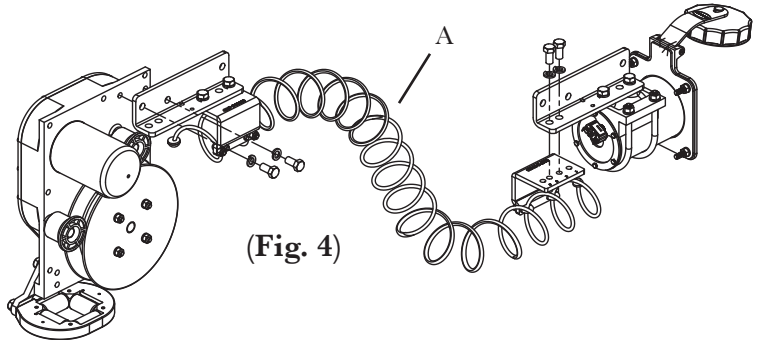


CABLEMASTER™ APPLICATIONS

Coil Spring Extension Application (Fig. 4)

The Coil Spring Extension application allows the installer to direct the power cable around obstructions. The Coil Spring Extension kit may be installed in a horizontal arrangement (pictured) or in a vertical arrangement between the Power Unit and the cable storage space.

| COIL SPRING EXTENSION KIT INCLUDES: | | |
|---|-------------|---------------------------------------|
| Item | Part No. | Description |
| A | 04075-30-xx | (1) Coil Spring Extension 30amp cable |
| | 04075-50-xx | (1) Coil Spring Extension 50amp cable |
| xx = length / various lengths available | | |



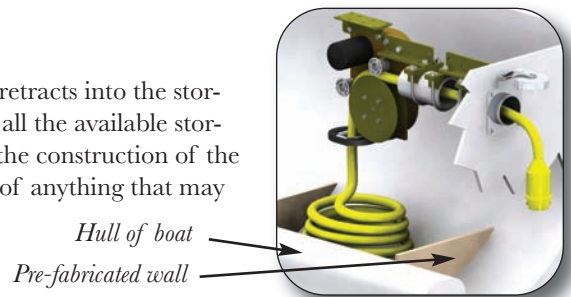
(Fig. 4)

Cable Storage Space Options

Before installing the Cablemaster™, careful consideration should be given to the storage space where the Cablemaster™ will store your boat's shore power cable when not in use. There are two options, either one of which would work well with the Cablemaster™. Which option is right for you may depend on the type of installation application you choose.

• Pre-fabricated Wall

The purpose of a pre-fabricated wall is to contain the shore power cable as it retracts into the storage space. This do-it-yourself solution is a great way to take full advantage of all the available storage space. A variety of materials (or even the hull of the boat) can be used in the construction of the pre-fabricated walls (see photo right) as long as the surface is smooth and free of anything that may harm the shore power cable.



• Styrene Container

The Styrene Container option is a white rotationally molded styrene container and is available as an option from Glendinning. The Styrene Container comes in the following sizes:

- PN 85424 — 18 in. diameter x 18 in. height — capacity 55ft./50amp cable
- PN 85420 — 20 in. diameter x 18 in. height — capacity 75 ft./50amp cable
- PN 85421 — 22 in. diameter x 15 in. height — capacity 75 ft./50amp cable
- PN 85425 — 22 in. diameter x 22 in. height — capacity 100ft./50amp cable

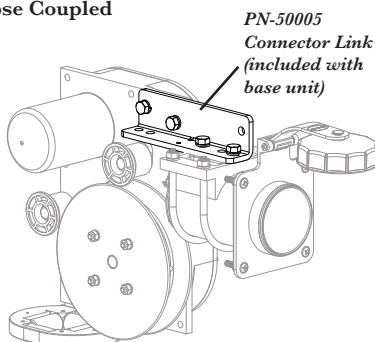
It should be noted that any container large enough to hold your shore power cable is acceptable and may be purchased at various stores for this purpose.



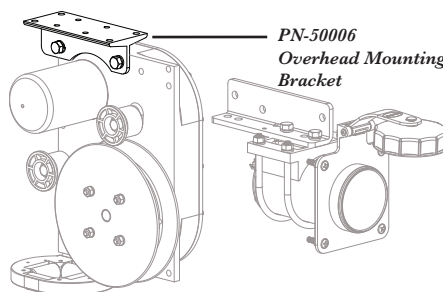
Cablemaster™ Mounting Options

There are 3 ways to mount the Cablemaster™. Which way is right for you will be determined by space availability and application. the 3 mounting options are illustrated below — 1) **Close coupled** is where the Hawse Pipe Assembly is attached to the Power Unit, 2) **Overhead Mounting Bracket** is used to attach Cablemaster™ to the ceiling of the storage space, and 3) **Power Unit to Container Mounting Bracket** (“A-frame”) is used to mount the Power Unit directly to the container.

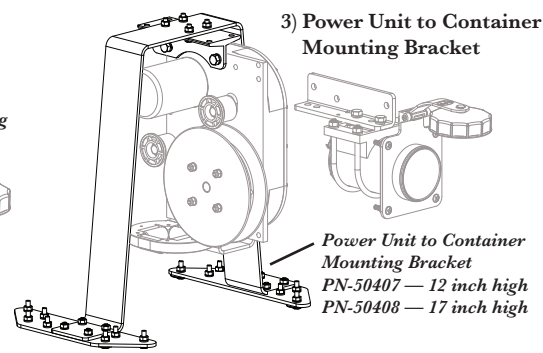
1) Close Coupled






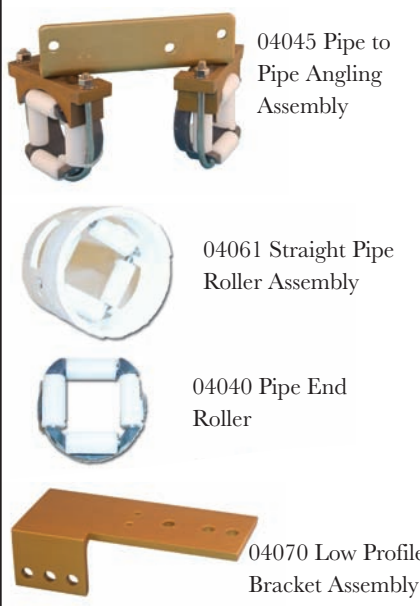
2) Overhead Mounting Bracket



3) Power Unit to Container Mounting Bracket



CABLEMASTER™ ACCESSORIES

| PART NUMBER | DESCRIPTION | | |
|---|--|---|--|
| 04420-X-XX 04421-X-XX | <p>MOLDED PLUG SHORE POWER CABLE — <i>power cable sold in bulk.</i></p> <p>50amp 125/250VAC (6/4) White or Yellow Cordset with molded plug end <i>(available in 50, 65, 75, 85, & 100 ft. lengths)</i></p> <p>50amp 125/250VAC (6/3) White or Yellow Cordset with molded plug end for isolation transformer applications <i>(available in 50, 65, 75, 85, & 100 ft. lengths)</i></p> |  | |
| 94004 94008 94005 94007 94006 | <p>SHORE POWER CABLE — <i>power cable blunt cut and sold in bulk.</i></p> <p>6/3 Yellow Jacket Cable — 50 amp 125 volt</p> <p>6/3 White Jacket Cable — 50 amp 125 volt</p> <p>6/4 Yellow Jacket Cable — 50 amp 125/250 volt</p> <p>6/4 White Jacket Cable — 50 amp 125/250 volt</p> <p>10/3 Yellow Jacket Cable — 30 amp 125 volt</p> | | |
| 94023-W 94023-Y | <p>6/3 White Jacket Cable — 50 amp 125/250 volt - Isolation trans. use</p> <p>6/3 Yellow Jacket Cable — 50 amp 125/250 volt - Isolation trans. use <i>100 amp and larger cable available — contact Glendinning</i></p> | | |
| 04155 04147-W 04153 04034 | <p>RADIO REMOTE CONTROL OPTION — <i>this option allows for the one-person remote operation of the Cablemaster unit.</i></p> <p>Radio Remote Control Kit - includes 2 transmitters!</p> <p>Spare / replacement transmitter</p> <p>RF Noise Filter - improves operational range of transmitter</p> <p>Relay Unit - required for addition of Remote on CM-4 models</p> | |  |
| 85424 85420 85421 85425 | <p>POWER CABLE STORAGE CONTAINERS — <i>rotationally molded polyethylene containers used to store shore power cord.</i></p> <p>18" diameter x 18" height — approx. capacity of 55' of cable</p> <p>20" diameter x 18" height — approx. capacity of 75' of cable</p> <p>22" diameter x 15" height — approx. capacity of 75' of cable</p> <p>22" diameter x 22" height — approx. capacity of 100' of cable</p> | |  |
| 04045 04061 04040 04070 | <p>INSTALLATION ACCESSORIES — <i>these accessories are used to aid in installation of the Cablemaster unit.</i></p> <p><u>Pipe to Pipe Angling Assembly</u> — used with the Vertical & Horizontal Pipe Extensions for angling the 3" PVC pipe <i>(not pictured)</i>.</p> <p><u>Straight Pipe Roller Assembly</u> — used on long PVC runs over 6 feet to break friction between cable and PVC pipe.</p> <p><u>Pipe End Roller</u> — keeps the cable from chaffing on the end of the PVC pipe.</p> <p><u>Low Profile Bracket Assembly</u> — used to lower the height required to mount the Cablemaster™ from 12.5 in. to 10.0 in.</p> | |  <p>04045 Pipe to Pipe Angling Assembly</p> <p>04061 Straight Pipe Roller Assembly</p> <p>04040 Pipe End Roller</p> <p>04070 Low Profile Bracket Assembly</p> |

HOSEMASTER™

Why Mess Around with an Uncooperative Hose?

The Glendinning Hosemaster™ puts an end to fighting with your hose during storage. With easy manual effort you can extend as much hose as is necessary for the task at hand. When you're done, the Hosemaster™ will automatically retract and store your water hose with push-button ease.

• Powered Retraction with Levelwind

Push the button and the Hosemaster™ will automatically retract and store 70 feet of 5/8" water hose effortlessly. The Levelwind feature will automatically make sure that your hose is wound properly on the reel.

• Stainless Steel Construction

No worries when it comes to longevity of this product! We've made the Hosemaster™ with materials that are corrosion resistant to withstand the harshest environments.

• Fits Virtually Anywhere

The compact design of the Hosemaster™ allows it to be installed in many restrictive spaces. The adjustable hose guide feature allows the unit to be mounted to the floor or ceiling of the storage area.

| Part No. | Power | Hose Size & Length |
|----------|--------|--------------------|
| 05520 | 12V DC | 5/8" - 70 feet |
| 05521 | 24V DC | 5/8" - 70 feet |
| 05522 | 12V DC | 1/2" - 100 feet |
| 05523 | 24V DC | 1/2" - 100 feet |

QUICK FACTS

- **Powered retraction of your water hose! — push the button and watch it work!**
- **Levelwind feature means no more monitoring hose as it is stored on the reel!**
- **Engineered to take advantage of standard garden hose fittings!**
- **Compact size — fits virtually anywhere!**
- **Adjustable hose guide feature allows unit to be mounted in a variety of ways!**

Specifications

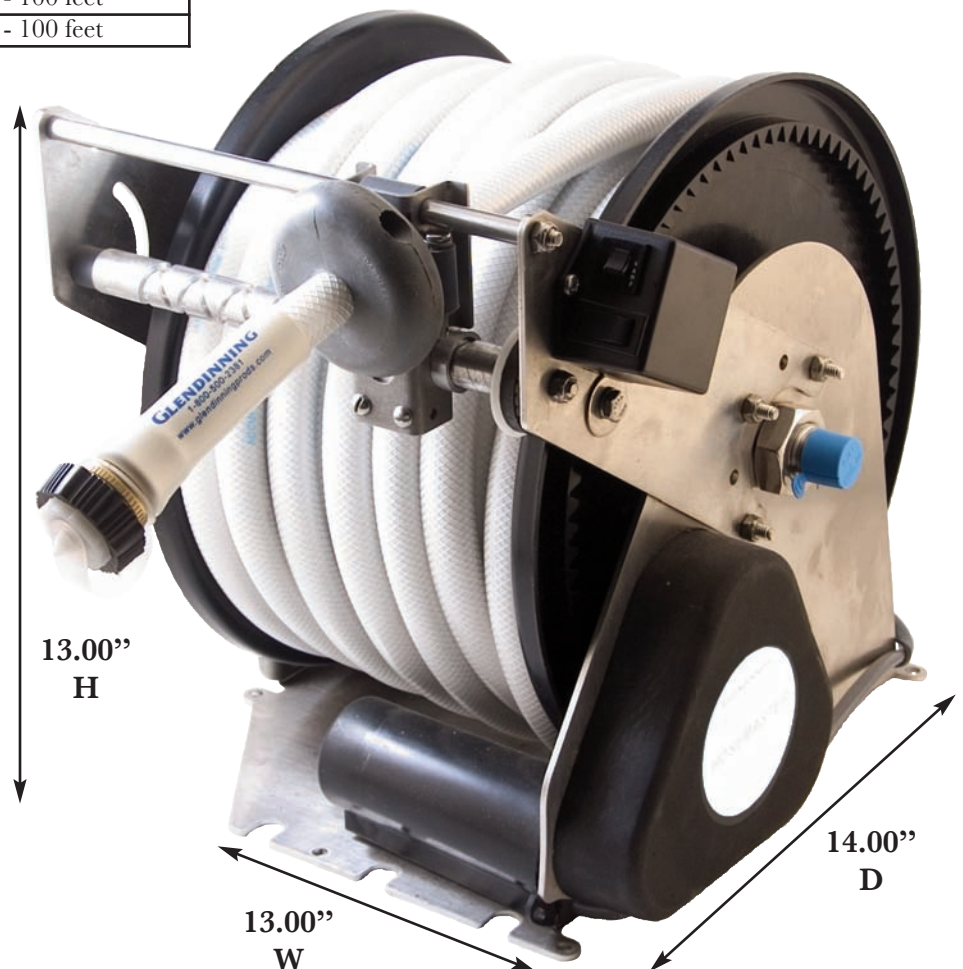
Current3-4 amps

Overload Protectionincluded

Water Connection.....1/2" NPT

Hose TypeWhite non-marking
drinking water safe

Weight.....under 27 lbs.



HOSEMASTER - Model S™ & Model D™

Retract and Store your Water Hose with Ease!

When a smaller reel would be better suited to your application, and powered retrieval and extension is not necessary, The Hosemaster - Model S™ and Hosemaster - Model D™ is your solution.

• Easy to Use

The Hosemaster - Model S™ & Model D™ uses a quality **spring loaded reel** to retract and store a limited length of water hose — simply pull and release the hose and the unit will automatically store the hose on the self contained reel.

• Corrosion Resistant

The Hosemaster - Model S™ & Model D™ is quality crafted of stainless steel and plastic to ensure weatherability in the harshest environments.

• Takes Up Less Space

The compact design of the Hosemaster - Model S™ & Model D™ allows it to be installed in the smallest of storage areas. It's not only ideal for boats, you can use it in RVs, buses and many more applications where a water hose is needed.

• Easy to Install

Optional mounting brackets allow the unit to be mounted in a variety of positions depending on your installation needs.

• Typical Applications

- Transom / deck shower
- Dock shower
- Cockpit / Deck wash
- Engine room wash
- Bridge wash
- Anchor rode wash

Mounting Options:



Optional Accessories:



QUICK FACTS

- Now you can add the convenience of a retractable water hose anywhere.
- Manually extend your hose as needed, and pull and release for automatic retrieval and storage.
- Compact design makes it ideal for hard to reach storage locations below deck.

| Part No. | Model Type | Hose ID & Length | Water Connection |
|----------|------------|---------------------|------------------|
| 05550 | Model S™ | 5/16" - 8 & 16 feet | 1/2" NPT |
| 05551 | Model D™ | 3/8" - 18 feet | 1/2" NPT |



*Sprayer sold separately



TRY OUR OTHER PRODUCTS!



Complete Controls™ — The most complete electronic engine control system

- Complete control of throttle and shift for all engine types
- CANbus technology simplifies wiring making installation easy
- Compatible with all types of troll valves & engine trim units
- Add up to 6 control stations including handheld remote
- Optional redundant “backup” control of gear & throttle

Pro-X Series Control Cables™ Your best choice for quality control cables



- Engineered to exceed ABYC, SAE, and ASTM standards
- Highly efficient “armored core” reduces operator effort
- Full complement of long lay wires provide lasting flexibility
- High density polyethylene jacket resists abrasions
- We manufacture a wide variety of cable types and end fittings

