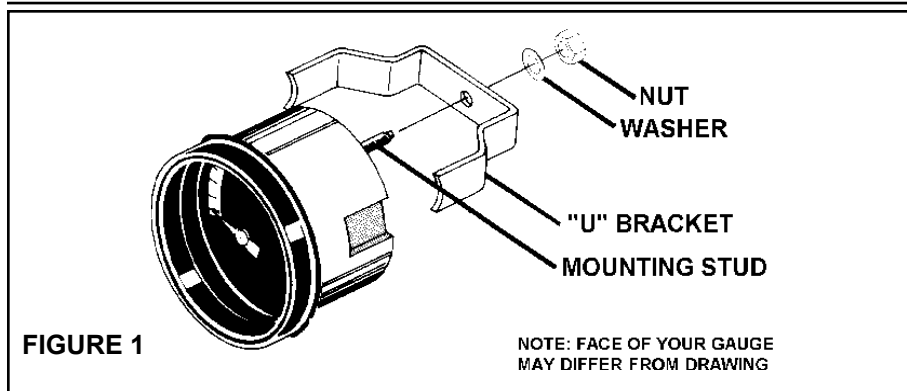


USA Sales/Support
 Veethree Electronics and Marine
 2050 47th Terrace East
 Bradenton, FL 34203 USA
 Tel 941-538-7775
 Fax 941-775-1222
 techservice@veethree.com
 www.v3instruments.com

Veethree
Instruments

**CHARGING SYSTEM
 CONDITION INDICATOR
 INSTRUCTIONS**



These Instructions are for the installation of Charging System Condition Indicators.

operator's position. Check behind the mounting location for installation clearance.

CAUTION:
READ AND FOLLOW THESE INSTRUCTIONS CAREFULLY BEFORE PROCEEDING WITH INSTALLATION. DO NOT DEVIATE FROM WIRING INSTRUCTIONS. INCORRECT INSTALLATION COULD CAUSE ELECTRICAL SHORT WITH POSSIBLE FIRE. ALWAYS DISCONNECT BATTERY BEFORE MAKING ANY ELECTRICAL CONNECTIONS.

2. Cut a 2-1/8" (54mm) diameter hole through the panel at location selected.

3. Insert gauge through the hole, and secure with 'U'-shaped bracket, using the nuts and washers provided. See Fig. 1. Bracket is designed for use with 1/2" (13mm) maximum thickness panels. Legs may be shortened if required.

CAUTION: DO NOT OVER-TIGHTEN NUTS, OR YOU MAY CRACK THE GAUGE HOUSING OR THE MOUNTING PANEL.

NOTE: VARIOUS STANDARD-MAKING ORGANIZATIONS HAVE PROMULGATED RULES FOR WIRING. THOSE APPLICABLE TO YOUR SITUATION SHOULD BE FOLLOWED.

4. Run a lead from 'G' (Ground) terminal of gauge to electrical system ground. (See Fig 2).

5. Run a lead from 'I' (Ignition) terminal of gauge to 'IGN' Terminal of ignition switch or 'I' terminal of another gauge.

6. If lighting is desired, run a lead from the 'L' (Light) terminal of gauge (or lead from optional light socket) to panel light switch or 'L' terminal of another gauge.

Additional Supplies Required:

- No. 16 Stranded Insulated Wire
- Insulated terminal lugs as required

1. Select a mounting location for the gauge which provides easy readability from the